

Homework #8

Deadline: 2010/06/11 (Friday)

You are requested to use PSPICE to find current I_o in the circuit shown in Figure 1. Also, please verify the results of PSPICE with your hand calculations. You must print the screenshots of PSPICE and write down your hand calculations on A4 papers.

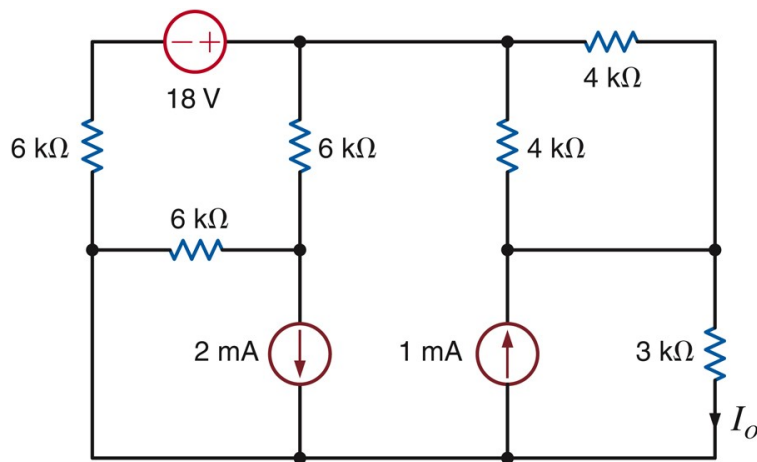


Figure 1.

References:

- [1] J. David Irwin and R. Mark Nelms, "Section 5.5: DC SPICE Analysis Using Schematic Capture," *Basic Engineering Circuit Analysis*, John Wiley & Sons, Inc., 9th Edition, 2008, pages 212-221.
- [2] J. David Irwin and R. Mark Nelms, "Section 5.5: DC SPICE Analysis Using Schematic Capture," *Basic Engineering Circuit Analysis*, John Wiley & Sons, Inc., 8th Edition, 2005, pages 193-207.